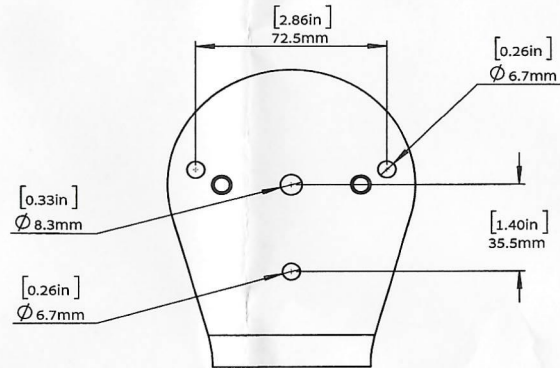


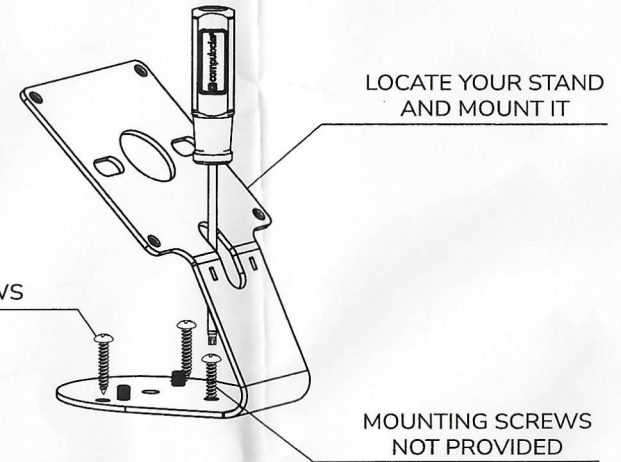
111 Stand SKU: 111B/111W

Assembly Instructions

COUNTER MOUNTING PATTERN



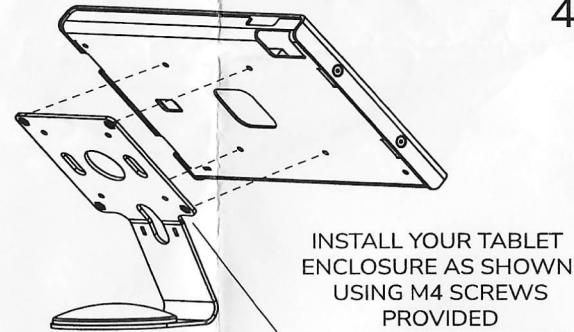
1



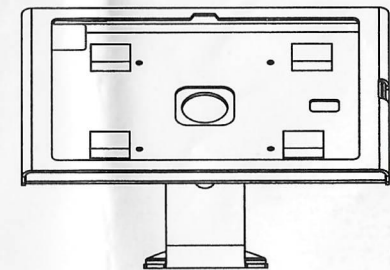
2



3



4



IN THE BOX



Fixed Stand



Plastic cover

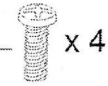
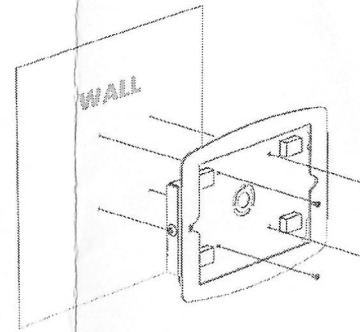


M4x8MM Phillips Screws

1

FOLLOW STAND
MOUNTING INSTRUCTIONS

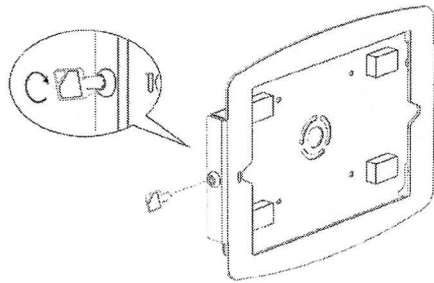
or



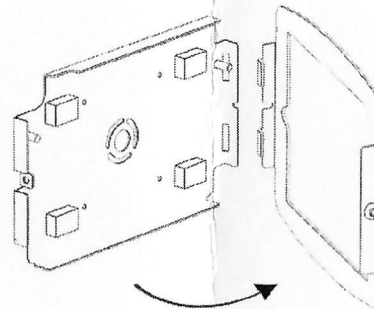
x 4

MOUNTING SCREWS
NOT PROVIDED

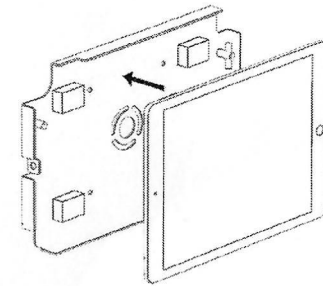
2



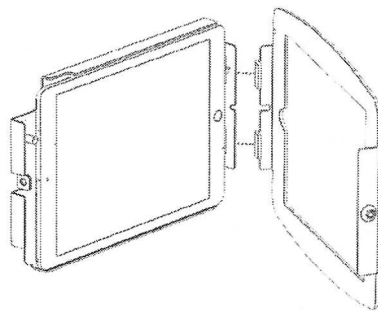
3



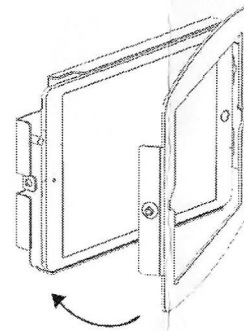
4



5



6



7

